

# LiteJet™



## Home Lighting Control

LiteJet™ is revolutionizing the lighting control market by providing features traditionally found in expensive, high-end systems, in an easy to install, simple to use, and incredibly affordable package. Centralized controls are used to create artistic scene lighting to accentuate your home's décor. Dimming levels may be set for both interior and exterior lighting to create dramatic and aesthetically beautiful scenes. LiteJet's robust centralized dimming system will transform your home into a beautiful showcase.

With a CentraLite lighting control system you will never have to enter a dark house again! Use the system's standard astronomical clock to automatically turn your lights on at dusk.

A key fob remote is also available to turn lights on or off from the safety of your vehicle. LiteJet easily integrates with other home automation systems, too. Configured to work with your fire and smoke alarm, your CentraLite system will light a pathway to safety for you and your family when the alarm is activated. LiteJet's alarm flash mode configured to work with your security system will flash lights throughout your home when the security system is triggered, alerting neighbors and approaching authorities.

CentraLite's open system architecture allows easy integration with many other home automation devices including cameras, motorized blinds, sprinkler systems, audio systems, and thermostats.



SIMPLE. RELIABLE. AFFORDABLE.

EUROPEAN DISTRIBUTION BY:



# The CASE for automated lighting control...

## Comfort and Convenience

If you've ever gone to bed at night and wondered whether you turned off the kitchen light or shut your garage door, and had to get out of bed to find out, then you'll appreciate the convenience of a whole house lighting control solution that will allow you to turn any light, on or off, from anywhere in your home.

Imagine pressing a single button to dim all of the lights in your great room to the perfect level for viewing movies or press the *Entertain* button to set the interior and exterior lights for entertaining.



## Aesthetic Appeal

The most luxurious granite countertops, the finest furniture, and the most beautiful decorative pieces will be unimpressive if viewed in poor lighting conditions. Lighting provides the finishing touch for your home. Automated lighting control provides the toolkit you need to showcase the special features you have included in your home.



The LiteJet system provides these tools in an affordable easy to use package. Use dimming levels, soft on/off, and scene lighting to add dramatic effect to your home.



## Safety and Security

Maintaining adequate lighting is an important safety factor for you and your family *and* an important deterrent against unwanted intruders. The LiteJet system provides numerous safety and security features.

### Pathway Lighting –

A pathway is a scene, which turns on multiple zones of light to provide safe passage from one part of the home to another, for example, from the dining room to the kitchen or from a child's bedroom to the bathroom. Use pathway lighting at night to prevent falling over objects or down stairs.



**All On/Off** – With the touch of a button, turn all of your lights on or off from anywhere in your home.

Attractive keypad selections reduce wall clutter common with conventional wall switches.



Traditional switches

LiteJet Keypads

# The CASE for automated lighting control...(continued)

**Alert Mode** – Integrated with your home security system or smoke detection system, LiteJet can illuminate a pathway out of the house when either system is tripped. Flashing lights alert neighbours and the approaching authorities.



## Whole house lighting control

LiteJet is a whole house automated lighting control system. It is a hardwired, centralized dimming system. Low voltage CAT5 cable connects the custom engraved keypads located throughout the house to the centralized panel.

Keypads so simple, children can operate them. Systems so reliable, they are installed in retirement communities, condominiums and homes around the world. Priced, affordably, Centralite has a system for budgets and homes of all sizes.



**Dusk and Dawn Events Control** – The astronomical clock calculates sunrise and sunset each day. Family members won't have to come home to a dark house. Lights can be set to automatically come on at dusk. Use the real-time clock to turn interior or exterior landscape lighting on and off creating unique scenes for special events automatically, once a year or every day.

## Energy Efficiency

According to The American Lighting Association, lighting uses 12 -15% of the electricity consumed in an average home.

Suggested ways to conserve the energy needed to light your home and save money:

1. Turn lights off when you don't need them.
2. Use dimmers to save energy.
3. Turn outdoor lighting on and off automatically.

LiteJet makes it easy to turn off lights that aren't needed and to ensure that all lights are off when you leave your home each day. Incandescent lights can be configured to a preset dim rate which, not only saves electricity but extends bulb life. Thermostats and water heaters can also be connected to the Centralite system and set to run on a schedule using LiteJet's real-time clock. See how LiteJet can help stretch your energy pounds as well as extend bulb life in your new home!



Effect of Dimming on Electricity and Incandescent Light Bulbs		
Lights dimmed this much	Electrical Savings	Extends Bulb Life
10%	10%	2X
25%	20%	4X
50%	40%	20X
75%	60%	>20X

# LiteJet Product Specifications

## STANDARD FEATURES

- Maximum number of Lighting Zones per unit: 24 (expandable to 48)
- Dimming Method: Phase Controlled
- Standard Dimmer Capacities: 8 amps (1000W)
- Maximum number of Scenes per unit: 30
- Maximum number of Inputs per unit: 96
- Maximum number of Timed Events: 12
- Keypad/Control Wiring: CAT5
- Connectors: RJ45
- 3 Phase Compatible
- Astronomical (real time) Clock
- 3rd Party RS-232 Ports: 2
- Vacation/Alert Mode
- All On/Off Mode
- Soft On/Off
- Classica or Europa Keypads - to be specified on order
- Standard Warranty: 5 years limited warranty from date of startup
- CE Conformity



Optional Key Fob Remote

## AVAILABLE KEYPADS (custom engraving available)



**Classica** 1, 2, 3, & 4 button configurations  
White & Black with Green LEDs

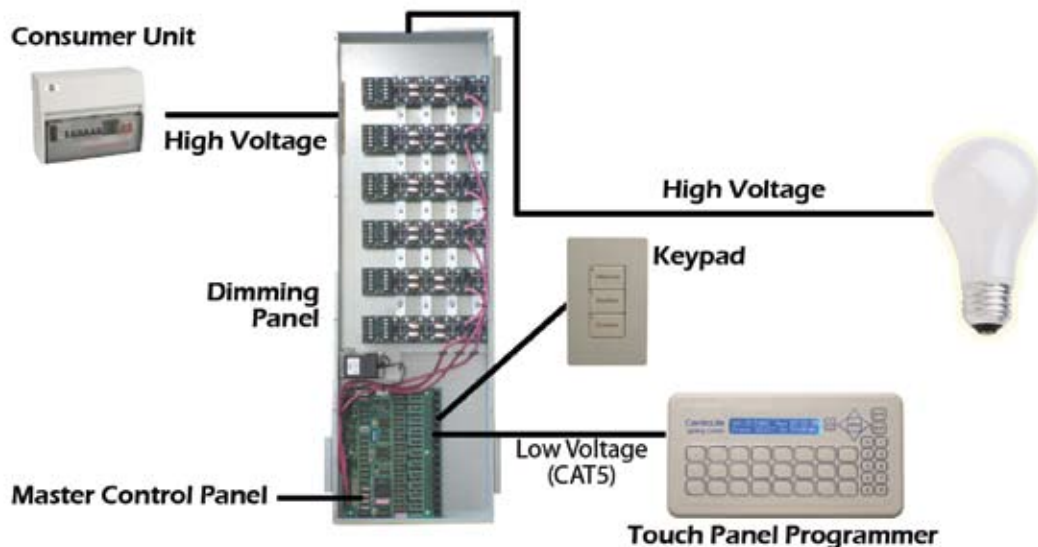


**Ultra** 2, 4 & 6 button configurations  
White & Black with Green or Blue LEDs

## OPTIONAL FEATURES (EXTRA COST)

- Fan Speed Controller Boards (FSCB)  
(max number of fans: 4; 2 per board))
- Low Voltage Relay Board (LVRB) - provides contact closure output. max=2 LVRBs per system; 6 relays per board; NO/NC.
- Touch Panel Programmer (TPP)
- Key Fob Remote
- Ultra Keypad Options
- Stainless Steel Keypad Faceplates
- Blue Led Illumination on Ultra Keypads
- Custom Keypad Engraving

# LiteJet Simple Wiring Layout



CentraLite® manufactures whole-house lighting control systems for new and existing homes of all sizes.  
Our systems are designed to be simple, affordable and reliable!

\*Specifications subject to change

www.multi-room.com tel: 01242 539100 fax: 01242 539300

4 Churchill House, Churchill Road, Cheltenham, Gloucestershire, GL53 7EG

©2006 All rights reserved

EUROPEAN DISTRIBUTION BY:

