

Elegance™



Architectural Lighting Control

Simple to use, the Elegance™ automated lighting control system will transform your lifestyle as well as your home by making it more functional and attractive.

With the touch of a single button at your bedside, the Elegance system can turn all the lights in your home off, signal your motorized blinds to close for the evening, and notify your security system to arm itself.

Elegance uses centralized controls to create artistic scene lighting to create atmosphere and accentuate architectural and decorative features in your home. Dimming levels may be set for interior and exterior lighting to create dramatic, aesthetically beautiful scenes.

Experience the convenience of being able to control any light from anywhere in your home. Enhance your comfort and security with the system's available safety features.

Vacation mode will make your home appear occupied while you are away. Alert mode lights a pathway to safety when your fire and smoke alarm is triggered. Configure security flash with your alarm system to ward off intruders and alert neighbours and the approaching authorities.

The system can be configured to turn lights on at dusk or special holiday events using the system's standard astronomical clock. A key fob remote is also available to turn lights on from the safety of your vehicle. With a Centralite® lighting control system you will never have to enter a dark house again!

Elegance easily integrates with other home automation systems including security systems, cameras, motorized blinds, sprinkler systems, gas logs, automatic garage door openers and thermostats.

The CASE for automated lighting control...

Comfort and Convenience

If you've ever gone to bed at night and wondered whether you turned off the kitchen light or shut your garage door, and had to get out of bed to find out, then you'll appreciate the convenience of a whole house lighting control solution that will allow you to turn on or off any light from anywhere in your home.

Imagine pressing a single button to dim all of the lights in your great room to the perfect level for viewing movies or press the *Entertain* button to set the interior and exterior lights for entertaining.



Aesthetic Appeal

The most luxurious granite countertops, the finest furniture, and the most beautiful decorative pieces will be unimpressive if viewed in poor lighting conditions. Lighting provides the finishing touch for your home. Automated lighting control provides the toolkit you need to showcase the special features you have included in your custom home.



The Elegance system provides these tools to you in an affordable easy to use package. Use dimming levels, soft on/off, and scene lighting to add dramatic effect to your home.



Safety and Security

Maintaining adequate lighting is an important safety factor for you and your family *and* an important deterrent against unwanted intruders. The Elegance system provides numerous safety and security features.

Pathway Lighting –

A pathway is a scene which turns on multiple zones of light to provide safe passage from one part of the home to another, for example, from the master suite to the kitchen or from a child's bedroom to the bathroom. Use pathway lighting at night to prevent falling over objects or down stairs.

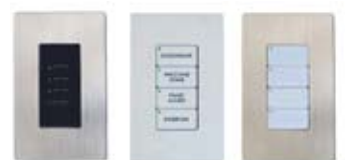


All On/Off – With the touch of a button, turn all of your lights on or off from anywhere in your home.

Attractive keypad selections reduce wall clutter common with conventional wall switches.



Traditional switches



Elegance Keypads

The CASE for automated lighting control...(continued)

Alert Mode –

Integrated with your home security system or fire and smoke detection system, Elegance can be configured to illuminate a pathway out of the house when either system is tripped. Flashing lights alert neighbours and the approaching authorities.



Dusk and Dawn Events Control – The astronomical clock calculates sunrise and sunset each day. Dusk or dawn events may be implemented in addition to other timed events such as holiday lighting. No need for family members to come home to a dark house.

Energy Efficiency

According to The American Lighting Association, lighting uses 12 -15% of the electricity consumed in an average home.

Suggested ways to use lighting more efficiently are :

1. Turn lights off when you don't need them.
2. Use dimmers to save energy.
3. Turn outdoor lighting on and off automatically.

Elegance makes it easy to turn off lights that aren't needed and to ensure that all lights are off when you leave your home each day. Incandescent lights can be programmed to a preset dim rate which not only saves electricity but extends bulb life. Thermostats and water heaters can also be connected to the Centralite System and programmed to run on a schedule using the Elegance system's astronomical clock. See how Elegance can help stretch your energy pounds as well as extend bulb life in your new home!

Whole house lighting control

Elegance is a whole-house automated lighting control system. It is a hardwired system with a centralized controller and dimming panel. Low voltage wires connect the custom engraved keypads remotely throughout the house.

Robust with features, Elegance provides all of the features you expect in a high end lighting control system, yet it is simple to use and incredibly affordable!



Effect of Dimming on Electricity and Incandescent Light Bulbs

Lights dimmed this much	Electrical Savings	Extends Bulb Life
10%	10%	2X
25%	20%	4X
50%	40%	20X
75%	60%	>20X

Elegance Product Specifications

PRODUCT FEATURES

- Maximum number of controlled zones per master control panel (MCP): 192 (Expandable to 768 zones)
- Dimming Method: Phase Controlled
- Standard Dimmer Capacities: 8 Amps
- Dimming Panel Configurations: 24, 36, 48, 60, 72, 84, 96, 120, 144, 192
- Maximum number of Scenes per MCP: 200
- Maximum number of Inputs per MCP: 384
- Maximum number of Timed Events: 50
- System Wiring: 22 Gauge; 6 Core Alarm Cable
- Keypad/Control Wiring: Low Voltage (5v)
- Custom Engraved Traditional Keypads
- 3 Phase Compatible
- Modem built in
- Astronomical Clock (real-time)
- 3rd Party RS-232 Ports: 2
- Vacation/Alert Modes
- All On/Off Mode
- Soft On/Off
- Contact Closure Input
- Standard Warranty: 5 year limited warranty from date of startup



Optional Key Fob Remote

AVAILABLE KEYPADS (custom engraving available)



Traditional 1, 2, 3 & 4 button configurations
Black or White with Green or Blue LEDs



Ultra 2, 4 & 6 button configurations
Black or White with Green or Blue LEDs

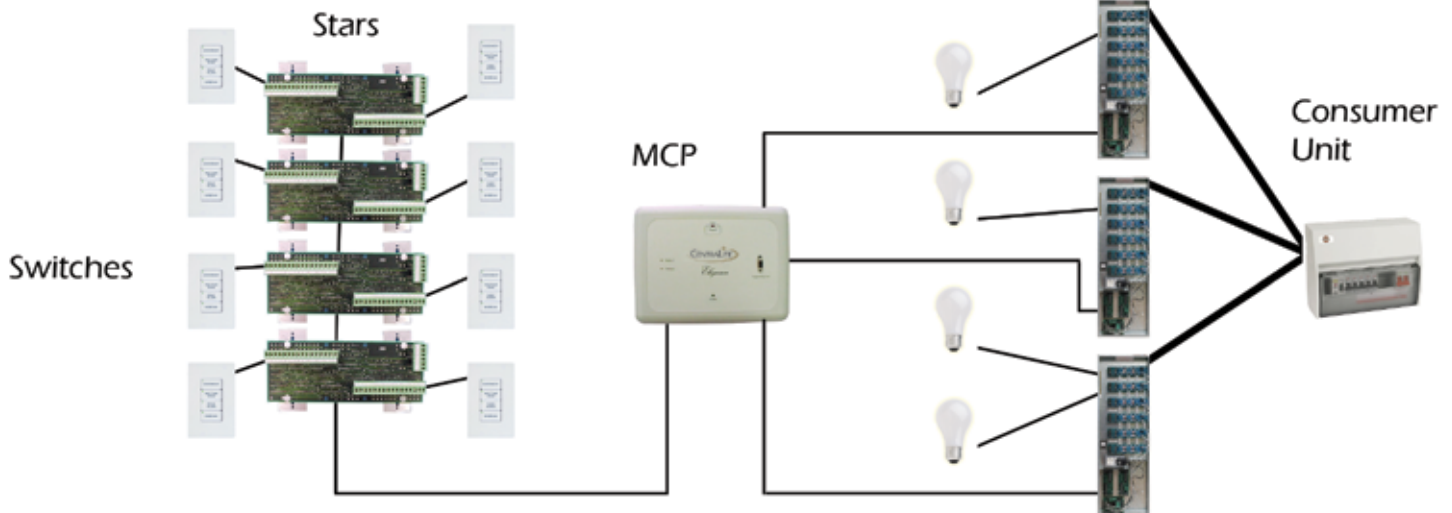
OPTIONAL FEATURES

- Switch Status Terminal (SST) Accessory provides whole home monitoring
- Low Voltage Relay Board (LVRB: - provides contact closure output): 16 relays per board; 8 NO and 8 NO/NC.
- Fan Speed Controller Boards (FSCB): max 4 fans per board
- Key Fob Remote
- Ultra Keypads
- Stainless Steel Keypad Faceplates
- Blue Leds on all Keypads

Elegance System

The Elegance system can include up to:

- 16 STARs per MCP (4 chains of 4 stars)



The MCP is the link between the low voltage part of the system, (the stars and the switches) to the high voltage relay enclosures.

Centralite® manufactures whole-house lighting control systems for new and existing homes of all sizes. Our systems are designed to be simple, affordable and reliable!

*Specifications subject to change

www.multi-room.com tel: 01242 539100 fax: 01242 539300

4 Churchill House, Churchill Road, Cheltenham, Gloucestershire, GL53 7EG

©2006 All rights reserved

EUROPEAN DISTRIBUTION BY:

